

TRUCKS AND BUSES



**PROFITABLE
FOR LIFE.**

Eicher Pro 6040
The 39.5 Tonne GCW Tractor



EUTECH 6

EUTECH 6

Eicher is creating a new benchmark in the Indian commercial vehicle industry, through a revolutionary BSVI solution that combines global technology with innovative support services. This solution doesn't just make your vehicle BSVI compliant but ensures higher productivity of the truck and profitability of your business.



Euro VI Expertise for 6 years

VECV has been manufacturing and supplying base engines to the Volvo Group since 2013. Over 1,00,000 Euro VI base engines supplied, operating in 41 countries. First to rollout BSVI CV range in India, incorporating expertise of Euro VI technology.



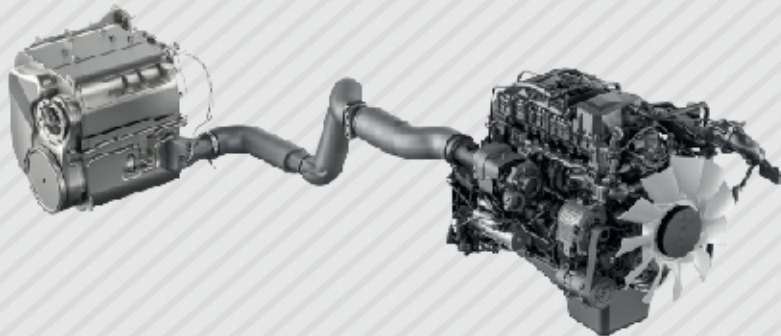
Efficient EATS and engine technology

Best fluid economy: Lower fuel consumption + DEF consumption combined. Reliable EATS + engine technology tested for over 56,00,000 km. Vanadium based SCR for high reliability & low maintenance.



Enhanced UPTIME

Eicher Uptime Centre for 24x7 support by specialists. GPS enabled service vans just a phone call away. Remote diagnostics for quick repair of BSVI vehicles.



COMPACT BOX TYPE EATS FOR EFFICIENT THERMAL MANAGEMENT

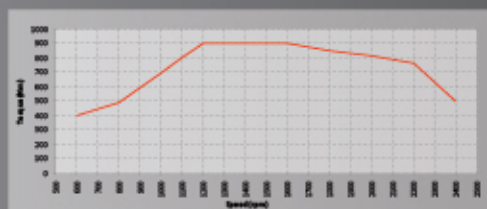
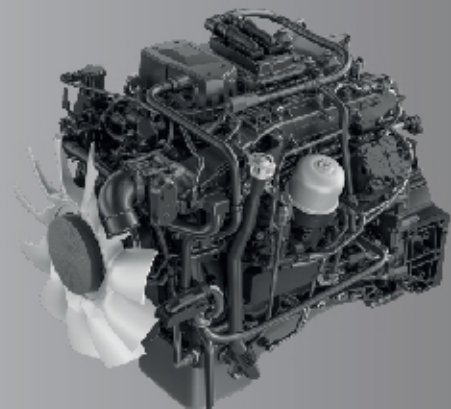


The new Eicher Pro 6040 is the 39.5 tonne GCW articulated tractor powered with the proven VEDX5 engine delivering the best power and torque combination in its segment. It offers best-in-class fuel efficiency and optimized performance making Pro 6040 *Profitable for Life.*



More Km per Litre.

The new Eicher Pro 6040 is designed to deliver best-in-class fuel efficiency thereby reducing the overall operational costs and increase profitability. The proven VEDX5 engine clubbed with Volvo Group's EMS, delivers **high peak torque over a wide range of RPM**, resulting in more trips with lesser fuel consumption.



FIE system



Volvo Group's EMS



ESS Compressor



- » Proven VEDX5 CRS Engine- 240HP @2200 rpm.
- » Flat torque delivery of 900 Nm over a wide rpm range (1200- 1600 rpm).
- » **M Booster+** to optimize acceleration and maximize fuel efficiency
- » First in industry **Fuel coaching** providing real time guidance for improved driver efficiency and fuel economics.
- » Energy saving components like Viscotronic fan & ESS compressor.

More Trips. Extra Miles.

Robust, rigorously tested and optimized driveline delivers more power and higher torque which enables higher productivity. **Quick gear shifts** and minimal RPM and torque disruptions enable better pick up. High torque to weight ratio ensures **outstanding gradeability**. All this together leads to **faster turnaround** and more trips.

- » High power to weight ratio for increased load pulling ability.
- » Modular DOMEX chassis for high tensile strength.
- » Parabolic suspension with Anti Roll bar at front for better vehicle stability at sharp turns.
- » Ergonomically designed cabin for increased driver productivity.

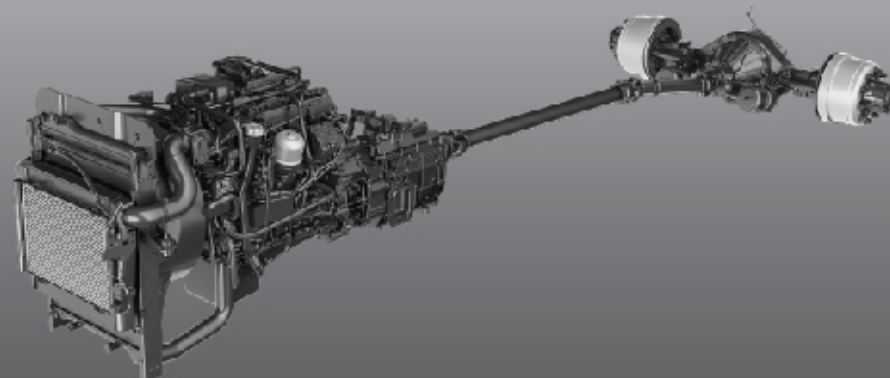
Parabolic suspension



Semi elliptical suspension



M Booster +



Superior Uptime

Higher strength and lower weight composite material derive **maximum component life** ensuring truck is on road and available to haul always. With the **fully equipped Eicher Service Network**, preventive maintenance of the truck is ensured thus delivering superior uptime.



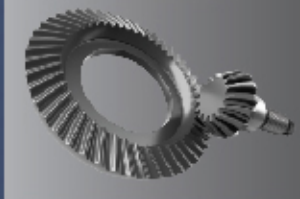
On Board Diagnostics



ET90 6 Speed Gearbox



Bigger Crown Wheel



- » Advance on-Board Diagnostics system that displays fault indicators in the form of visual signals, messages and alarms.
- » Engine Protection System ensuring 4 way protection.
- » Exhaust brake to prevent engine over-running.
- » Longer and synchronized service intervals.

More Comfort. Longer Drives.

Pro 6040 Cabin has been designed keeping in mind the long and tiring journeys, the drivers have to travel in. The **global cabin** provides a **comfortable workspace** that ensures they are not only comfortable, but also safe while on their long runs.

- » Sleeper cabin for better comfort(HVAC optional).
- » Meeting AIS 029 cabin strength test.
- » Intelligent Driver information system (IDIS) that provides truck operational parameters
- » Tilt & telescopic power steering & 6 way adjustable seat for better driving posture.
- » Cruise Control for fatigue-free driving experience.



IDIS



6 way adjustable driver seat

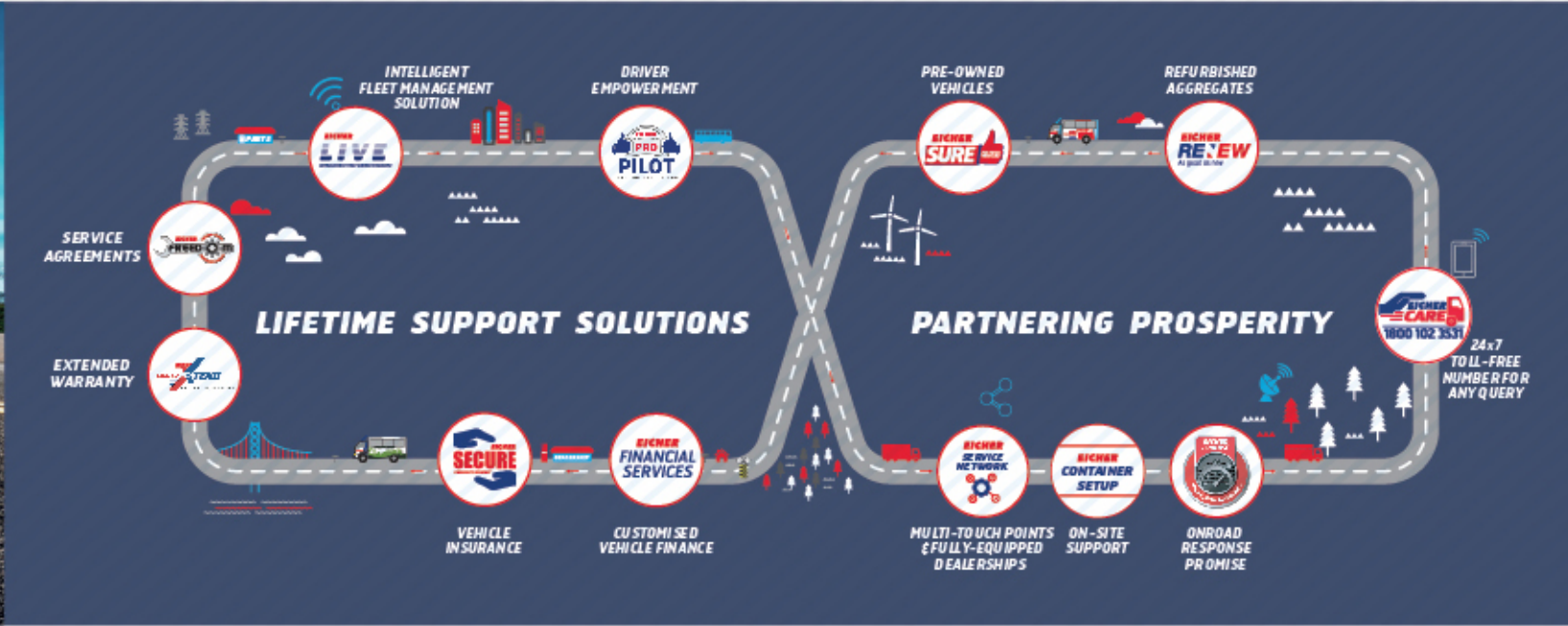


Tilt and Telescopic Power Steering



Lifetime Support Solutions.

Through our Lifetime Support Solutions, we ensure a seamless and hassle free experience from the time you consider buying an Eicher vehicle to the time you think of selling. Our continuously improving and holistic services will ensure higher uptime and productivity for your BSVI vehicles.



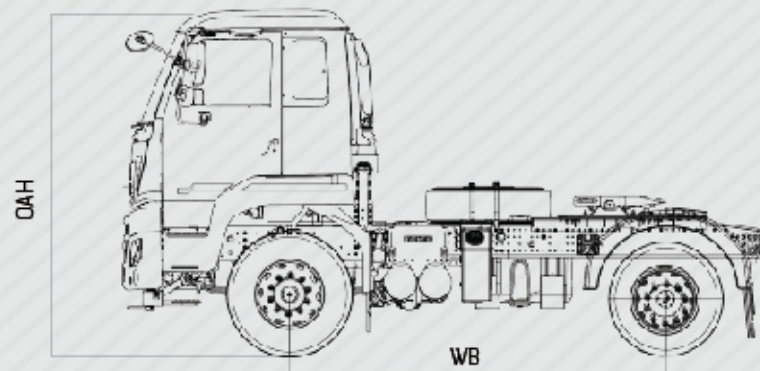
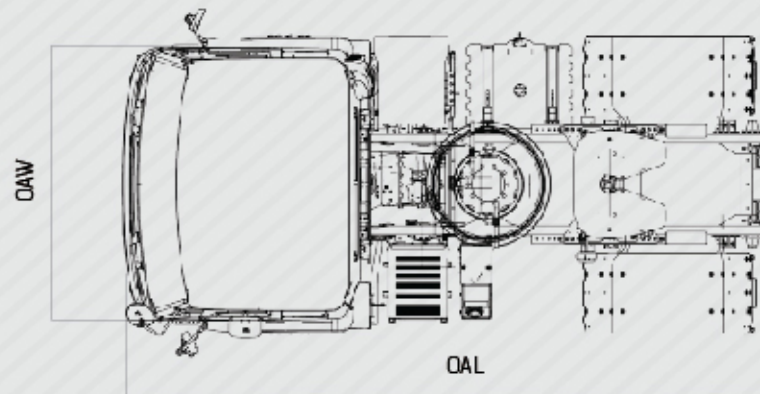
Eicher has taken a step towards achieving Superior Uptime, with a responsive attitude, that will set us apart and create a differentiated experience for our customer. With our new UPTIME CENTER and UPTIME CERTIFIED WORKSHOPS, we are now geared up with a pro- active support system for diagnostic assistance through advanced diagnostic tools.



At Uptime Certified Workshops only
*T&C Apply

Model Eicher Pro 6040

GCW (kg)	39500
Engine	VEDX5, 4 Cylinder, BS-VI
Max Power	240 hp @ 2200 rpm
Max Torque	900 Nm @ 1200-1600 rpm
Clutch (mm)	395
Gearbox	ET90S6
Rear Axle	Heavy Duty Fully floating single reduction
FDR	5.29
Chassis Dimensions (mm)	285x76x6
Front Suspension	Parabolic leaf spring with Shock Absorber
Rear Suspension	Semi Elliptic laminated leaf spring
Cabin	Sleeper Cabin
Steering	Tilt and telescopic power steering
Tyres	Front: 295/90R20 Rear : 10R20
Fuel Tank (Litres)	350
DEF Tank (Litres)	50
Battery	24V
Gradeability (%)	16
5th Wheel Coupling (mm)	50
Wheelbase (mm)	3200 (CBC)
Applications	ISO Containers, Auto-carriers, LPG Bullets, Steel Coil



Vehicle Model	Wheelbase (WB) mm	Overall Length (OAL) mm	Overall Width (OAW) mm	Overall Height (OAH) mm
Pro 6040TT CBC	3200	5455	2560	2915

